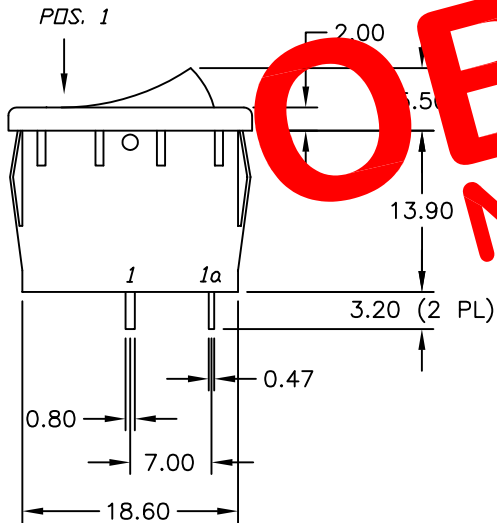
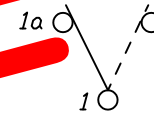


PANEL CUTOUT

PANEL THICKNESS	X
0.75-1.25	19.2
1.25-2.0	19.4
2.0-3.0	19.8



**OBSOLETE**  
 November 2017  
 PCR 23113



CIRCUIT: SPST

SWITCH FUNCTION	
POS. 1	POS. 2
(ON)	OFF
1-1a	OPEN

( ) = MOMENTARY

CONTACT CONFIGURATION

NOTES:

1. ALL DIMENSIONS IN mm
2. GENERAL TOLERANCE: 0.0=±0.4  
0.00=±0.25
3. TERMINAL NUMBERS FOR REF ONLY
4. RATING: 15A @ 125VAC OR 6A @ 250VAC
5. ELECTRIC LIFE: 10,000 cycles
6. INSULATION RESISTANCE: >1000 mega-ohm
7. DIELECTRIC STRENGTH: >1500 V 1 minute,  
>3000 V between poles

**E-SWITCH®**

TITLE					R1966 F BLK BLK G S				
SCALE	DATE	DR	DWG	REV					
1.5:1	7/5/00	GLG	M304206	A					

A	10728	RELEASED FOR PRODUCTION	7/5/00	GLG
REV.	ECN No.	DESCRIPTION	DATE	CHKD

THE INFORMATION CONTAINED IN THIS DOCUMENT IS PROPRIETARY TO E-SWITCH AND IS NOT TO BE COPIED OR TRANSFERRED